



**Specification**

**DESIGN**

Fine small design, filter and decompression integrated function, automatic drainage, differential pressure drainage, can add atomized lubricator

**PORT SIZE**

G1/8"-G1"  
With quick connector/clamp connector

**FILTRATION PRECISION**

25µm

**DESIGN PRESSURE**

15bar

**USE OF PRESSURE**

10bar

**Pressure regulation range**

0.5-10 bar

**CONTAINER MATERIAL**

Polycarbonate

**Operating Temperature**

+5° - 60°

The above information is for reference only and Eicmation reserves the right to alter without prior notice



Type:  
DE

Filter Regulator

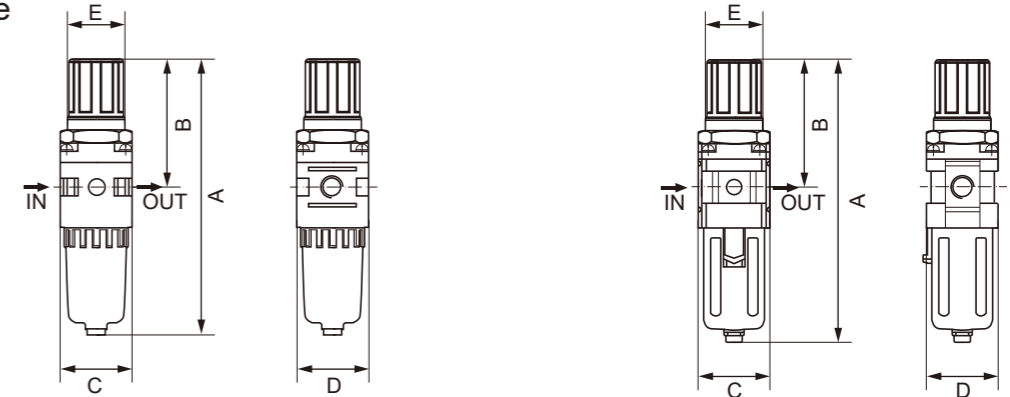
Single pieces  
Duplex pieces  
F.R.L

Ordering example:e.g. DE132111  
=Filter Regulator valve,4000,DN25,Lubricator  
Filter Regulator

A + B. Product	C. Type	D. Specification	E. Caliber	F. Material	G. Temperature	H. Option
DE=Filter Regulator valve	1=Single piece 2=Duplex pieces 3=F.R.L	2=2000 3=3000 4=4000 5=5000	01=G1/8" 02=G1/4" 03=G3/8" 04=G1/2" 05=G3/4" 06=G1"	1=PVC 2=Aluminium alloy 3=Stainless steel	1=+5-+60°C 2=-40-+80°C 3=-40-+180°C	1=NONE 2=metrl cup

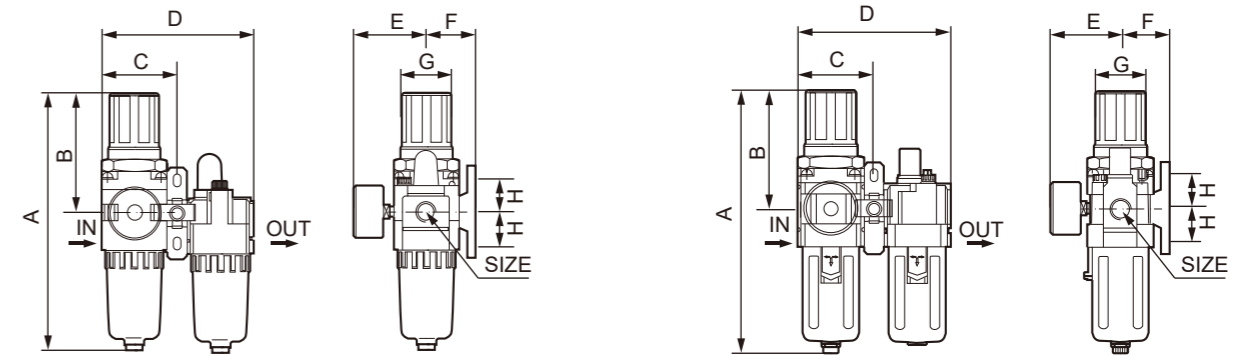
**Dimension**

Single piece



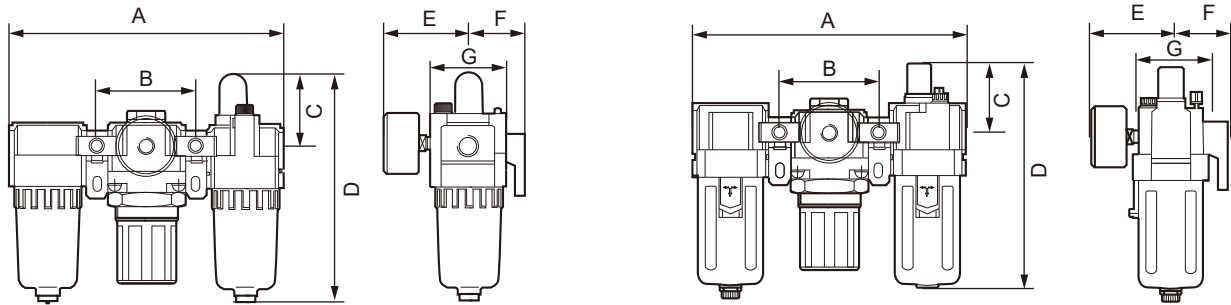
SIZE	Specification	Flow	A	B	C	D	E
G1/8"	2000	550	164.5	78	40	40	34
G1/4"	2000	550	164.5	78	40	40	34
G1/4"	3000	2000	211	92.5	53	53	40
G3/8"	3000	2000	211	92.5	53	53	40
G3/8"	4000	4000	262	112	70	70	54
G1/2"	4000	4000	262	112	70	70	54
G3/4"	4000	4500	267	114	70	70	54
G3/4"	5000	5500	267	114	70	70	54
G1"	5000	5500	338	116	90	90	54

Duplex pieces



SIZE	Specification	Flow	A	B	C	D	E	F	G	H
G1/8"	2000	500	164.5	78	45	90	56.8	30	40	24
G1/4"	2000	500	164.5	78	45	90	56.8	30	40	24
G1/4"	3000	1700	211	92.5	58.5	117	60.8	41	53	35
G3/8"	3000	1700	211	92.5	58.5	117	60.8	41	53	35
G3/8"	4000	3000	262	112	77	154	70.5	50	70	40
G1/2"	4000	3000	262	112	77	154	70.5	50	70	40
G3/4"	4000	3000	267	114	82	164	70.5	50	70	40
G3/4"	5000	4000	338	116	97.5	195	75.5	69.8	90	50
G1"	5000	4000	338	116	97.5	195	75.5	69.8	90	50

# F.R.L



SIZE	Specification	Flow	A	B	C	D	E	F	G	H
G1/8"	2000	500	140	50	38	125	56.8	30	40	24
G1/4"	2000	500	140	50	38	125	56.8	30	40	24
G1/4"	3000	2000	181	64	38	156.5	60.8	41	53	35
G3/8"	3000	2000	181	64	38	156.5	60.8	41	53	35
G3/8"	4000	4000	238	84	41	191.5	65.5	50	70	40
G1/2"	4000	4000	238	84	41	191.5	65.5	50	70	40
G3/4"	4000	4500	253	89	41	193	69.5	50	70	40
G3/4"	5000	5000	300	105	48	271.5	75.5	69.8	90	50
G1"	5000	5000	300	105	48	271.5	75.5	69.8	90	50