



**Specification**

**FEATURES**

- Solid and flexible design
- Aluminum die-casting housing and powder coating
- Stainless steel (316)housing. (DO5)
- Visual position indicator on the drive shaft
- Quick-set cam
- No need to adjust again after initial setting
- Easy setup without tools

**OPTIONS**

Enclosure  
Protection IP68

**CABLE ENTRIES**

PF,PT,PG

**EXTERNAL TEMPERATURE RANGE:**

-40°C - +80°C or -20°C - +150°C

**SWITCHES**

Proximity sensor X2  
Mechanical switches X4 (Except DO2)  
Proximity sensor X4 (Except DO2)

**COATING**

Other Nylon on request Red ,green,blue,  
yellow,silver

**POTENTIOMETER**

1K Ω standard  
5K Ω  
0 - 10K Ω

The above information is for reference only and  
Eicmation reserves the right to alter without prior  
notice

**CABLE ENTRIES**

DO2/DO3/DO6: NPT 1/2"  
DO4/DO5: NPT 3/4"

**EXTERNAL TEMPERATURE RANGE**

-20°C - +80°C

**POSITION INDICATOR**

0-90°Close:red open:yellow

**SWITCHES**

Mechanical switches X2

**PAINTING**

Chromate Polyester powder coating (back)

**ENCLOSURE**

Protection IP67  
DO4: Explosion-proof Ex d IIB T6  
DO5: Explosion-proof Ex d IIC T6



Type:  
DO  
Rotary stroke limit switch

Economy  
Standard  
Explosion-proof

**Ordering example:**e.g. DO211111

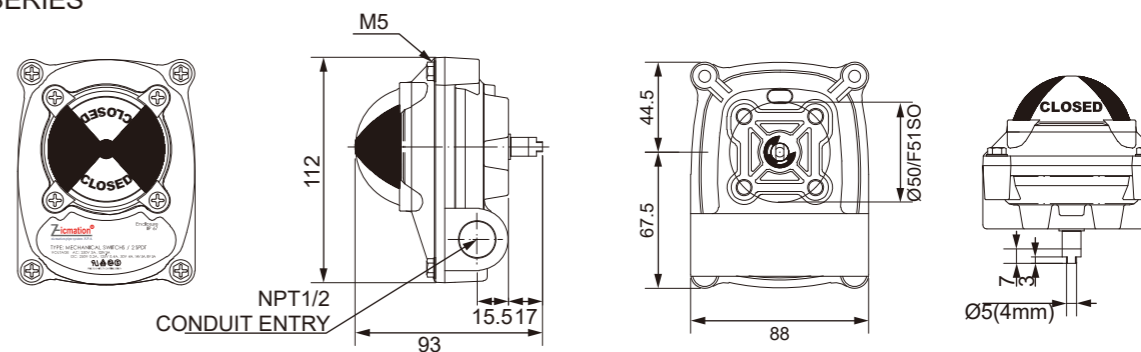
= Rotary stroke limit switch ,Economy,2-SPDT,-20°C-80°C,Protection IP67,0-90°Position indicator,Bracket 25X50 H:2020

Limit switch

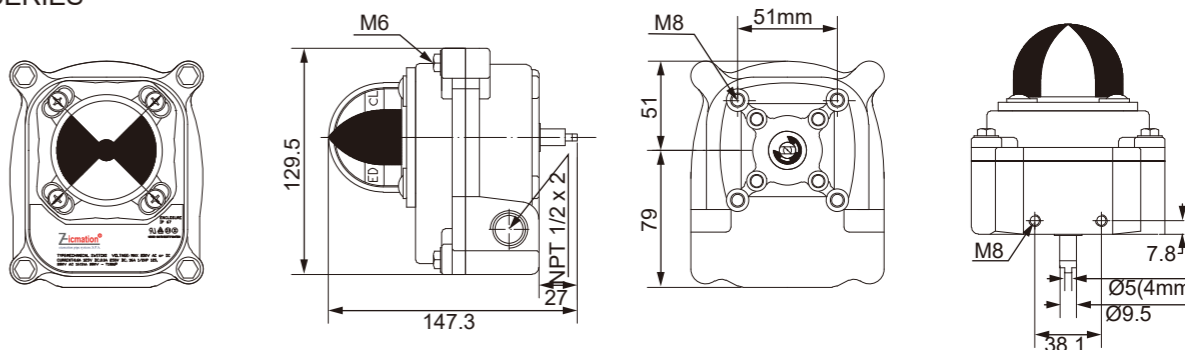
A + C. Type	C. Extra	D. Switches	E. Temperature	F. Protection	G. Position indicator	H. Bracket
DO=Rotary stroke limit switch	2=Economy 3=Standard 4=Explosion-proof Exd IIB T6 5=Explosion-proof Exd IIC T6	1=2-SPDT 2=3-SPDT 3=4-SPDT 4=2-SPST 5=2-DPDT 6=2-SPDT+ Potentiometer 7=2-SPDT+Transmitter 8 = magnetic induction 9 = P + F proximity type (intrinsically safe explosion-proof)	1=-20°C - 80°C 2=-40°C - 80°C 3=-20°C - 150°C (2and3 applies to DO3)	1=IP67 2=IP68	1=0 - 90° 2=Three position	1=Adjustable support 2=25X50 H:20 3=30X80 H:20 4=30X80 H:30 5=30X130 H:30 6=30X130 H:50

**Dimension**

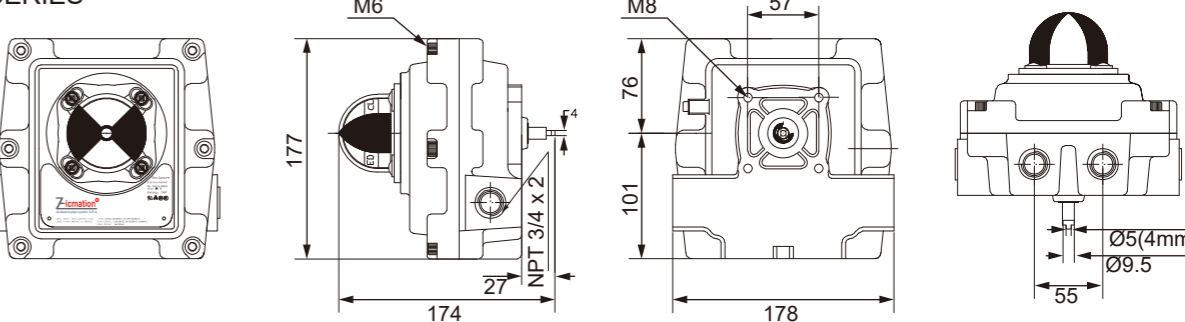
**DO 2 SERIES**



**DO 3 SERIES**



**DO 4 SERIES**



**DO 5 SERIES**

