



Specification

DESIGN

The actuator is especially suitable for the operation of ball valves and butterfly valves with 90°-rotation angle

A water resistant body with overload protection and dehumidification. The overheat protection device is initiated

MATERIALS

Body: Aluminium Alloy
Surface: polyurethane coating

TEMPERATURE RANGE

-30°C - +60°C

CONNECTION

Mounting Pad: ISO 5211
Electrical interface: PG13.5

OPTIONAL VOLTAGE

24V DC, 24V AC, 110V AC
220V AC, 380V AC.

PROTECTION

IP 67

END limited

Passive contact switch

EQUIPMENT

Passive contact switch, optical position indicator, manual override

OPTIONS

Dehumidification heater
Overtorque protection
Modulante type 4-20mA
Exd IIB T4
For more requests please contact us



Type:
KL

Basic Rotary Stroke
Electric Actuator
50Nm - 2000Nm

The above information is for reference only and Eicmation reserves the right to alter without prior notice

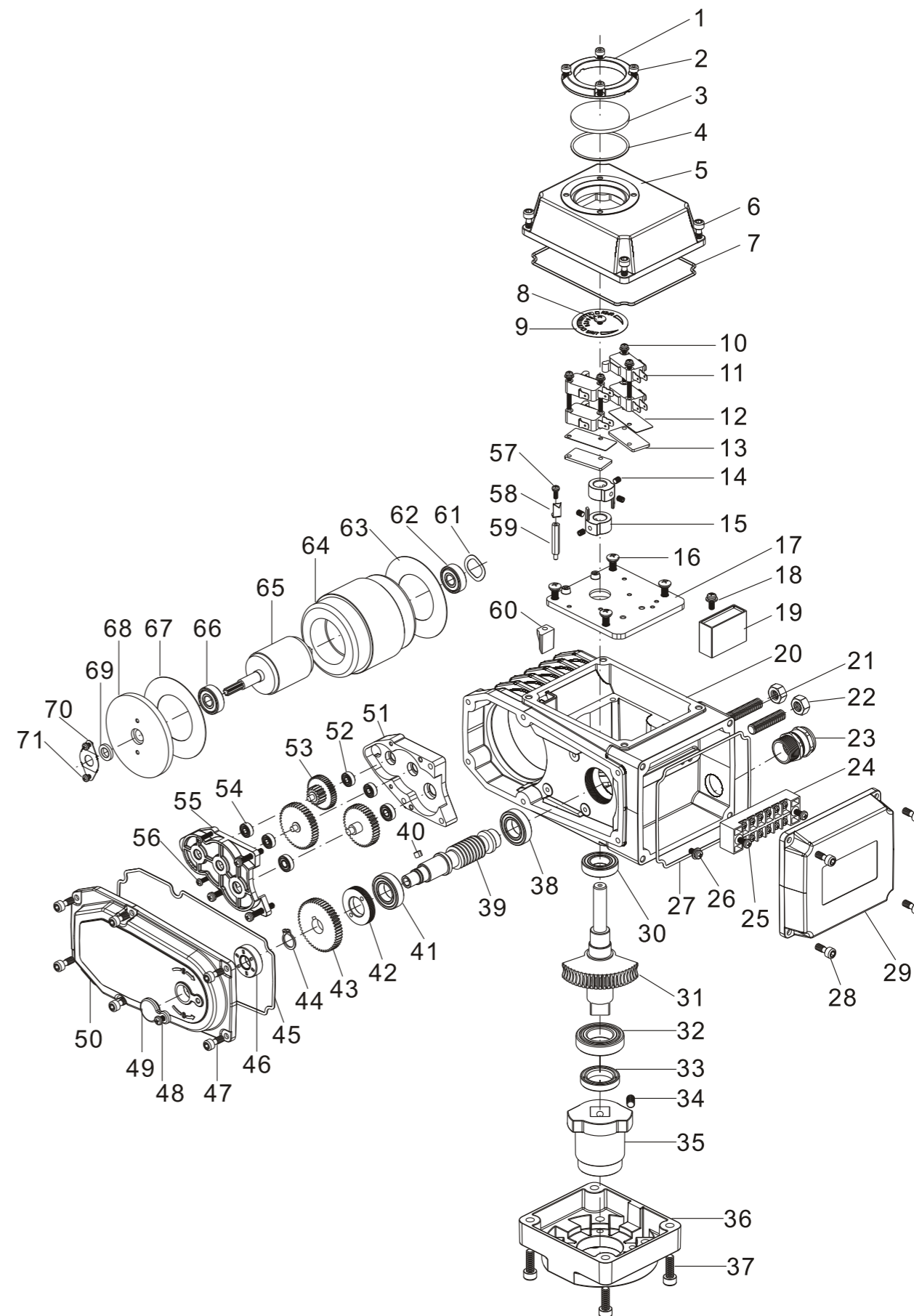
Ordering example: e.g. KL111111

= Electric actuator, 24V DC, Protection grade IP67, 50Nm, On/off type+Limit switch

Actuator

A Type	B+C Voltage	D Explosion proof grade	E+F Torque(NM)	G Extra	H Spare
KL=Basic rotary stroke Electric actuator	1=24V DC 2=24V AC 3=110V AC 4=220V AC 5=380V AC	1=None 2=Exd II BT4 (50-600NM)	11=50 13=100 15=200 17=400 19=600 21=1000 23=2000	1=On/Off type +Limit switch 2=Modulante type 4~20mA	1=No 2=1K~10K potentiometer 3=Current position sensor 4~20mA 4=Overload protection (200-2000NM) 5=Backup power supply 6=High temperature 100 7=Low temperature -40 8=Arefaction protect

Parts list



Parts list

NO.	Description	Qty
1	Indicator window cover	1
2	Internal six angle cylinder head screw	4
3	Mirror	1
4	O-ring	1
5	Electric loading - upper cover	1
6	Anti off inner six angle screw	4
7	O-ring	1
8	Cross screw	1
9	Dial	1
10	Cross screw (component)	4
11	Stroke switch	4
12	Insulation guard board	2
13	Insulation plate	2
14	Internal six angle screw	4
15	Stroke block	2
16	Cross screw (component)	4
17	Denso - cover	1
18	Cross screw (component)	1
19	Capacitor	1
20	Electric installation box	1
21	Limit bolt	2
22	Outer six angle nut	2
23	Waterproof cable joint	1
24	Terminal	1
25	Cross screw	2
26	Cross screw	1
27	O-ring	1
28	Anti off inner six angle screw	4
29	Electric installation - line cover	1
30	Bearing	1
31	Gearbox	1
32	Bearing	1
33	Oil seal	1
34	Internal six angle screw	1
35	Connection sleeve (ISO5211)	1
36	Mounting base (ISO5211)	1

NO.	Description	Qty
37	Internal six angle cylinder head screw	4
38	Bearing	1
39	Worm	1
40	Flat key	1
41	Bearing	1
42	Lock nut	1
43	Worm gear	1
44	Shaft ring	1
45	O-ring	1
46	Oil seal	1
47	Anti off inner six angle screw	6
48	Cross screw (component)	1
49	Dust plug	1
50	Electric fitting - front cover	1
51	Electric assembly deceleration box 1	1
52	Bearing	3
53	Electrifitting reduction gear assembly	3
54	Bearing	3
55	Electric assembly deceleration box 2	1
56	Cross screw (component)	5
57	Cross screw (component)	1
58	Dial pointer	1
59	Pointer lever	1
60	Rubber plug	1
61	Wave Spring Washers	1
62	Bearing	1
63	Isolation plate	1
64	Motor stator	1
65	Motor rotor	1
66	Bearing	1
67	Isolation plate	1
68	Motor cover	1
69	Oil seal	1
70	Oil seal baffle	1
71	Cross screw (component)	2

Torque time, operating times and power supply (Non explosion proof electric actuator)

On/Off type

Model	KL111111			KL111311			KL111511		
	Torque(Nm)	45	50	90	100	200	24VDC	220VAC	380VAC
Voltages	24VDC	220VAC	380VAC	24VDC	220VAC	380VAC	24VDC	220VAC	380VAC
Operating time(S)	10	30	10	30	10	30	10	30	10
Rated current(A)	2	0.24	0.15	2.4	0.32	0.19	8	0.48	0.25
Power(W)	20	10	40	23	40	40	8	0.48	0.25

Model	KL111711			KL111911		KL112111		KL112311	
	Torque(Nm)	400	600	1000	2000	24VDC	220VAC	380VAC	220VAC
Voltages	24VDC	220VAC	380VAC	220VAC	380VAC	220VAC	380VAC	220VAC	380VAC
Operating time(S)	10	30	30	50	100	10	30	30	100
Rated current(A)	8	0.48	0.25	0.92	0.45	1.2	0.48	1.2	0.48
Power(W)	60	90	100	100	100	8	0.48	1.2	0.48

Modulante type

Model	KL111121	KL111321	KL111521	KL111721	KL111921	KL112121	KL112321
Torque(Nm)	50	100	200	400	600	1000	2000
Voltages	220VAC	220VAC	220VAC	220VAC	220VAC	220VAC	220VAC
Operating time(S)	30	30	30	30	30	50	100
Rated current(A)	0.24	0.32	0.48	0.48	0.92	1	1.2
Power	10	23	40	40	90	100	100

Torque moments, operating time and power supply (Explosion proof electric actuator)

On/Off type

Model	KL121111			KL121311			KL121511		
	Torque(Nm)	50	100	200	400	600	24VDC	220VAC	380VAC
Voltages	24VDC	220VAC	380VAC	24VDC	220VAC	380VAC	24VDC	220VAC	380VAC
Operating time(S)	20	30	30	30	30	30	30	30	30
Rated current(A)	1.28	0.15	0.07	2.03	0.3	0.1	3.57	0.35	0.19
Power(W)	13	10	25	25	15	35	40	30	30

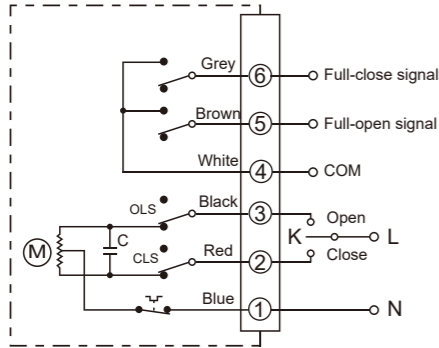
Model	KL121711			KL121911		
	Torque(Nm)	400	600	24VDC	220VAC	380VAC
Voltages	24VDC	220VAC	380VAC	24VDC	220VAC	380VAC
Operating time(S)	30	45	45	30	45	45
Rated current(A)	5.13	0.64	0.29	6.04	0.67	0.29
Power(W)	70	90	40	70	90	40

Modulante type

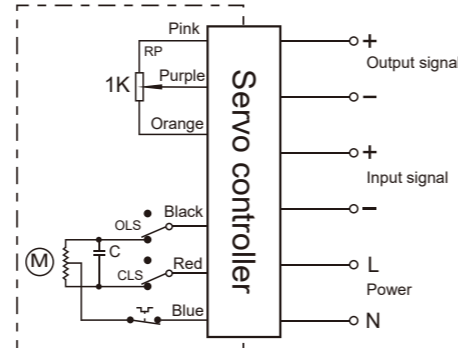
Model	KL121121	KL121321	KL121521	KL121721	KL121921
Torque(Nm)	50	100	200	400	600
Voltages	220VAC	220VAC	220VAC	220VAC	220VAC
Operating time(S)	20	30	30	30	45
Rated current(A)	0.15	0.3	0.35	0.64	0.67
Power	10	25	40	90	90

Wiring diagram for standard actuator (Non explosion proof electric actuator)

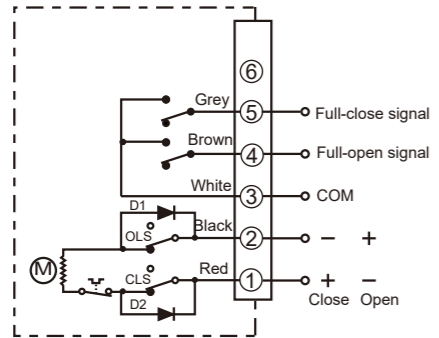
On/Off type
24/110/
220V AC



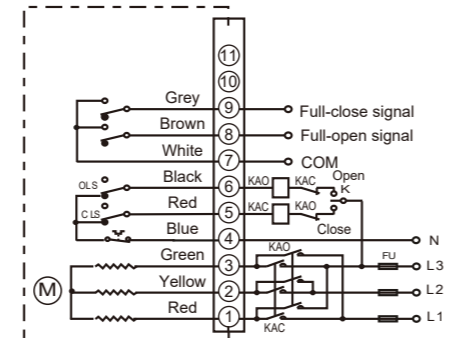
Modulate type
110/220V AC



On/Off type
24V DC

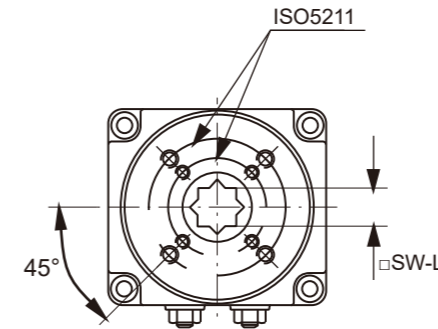
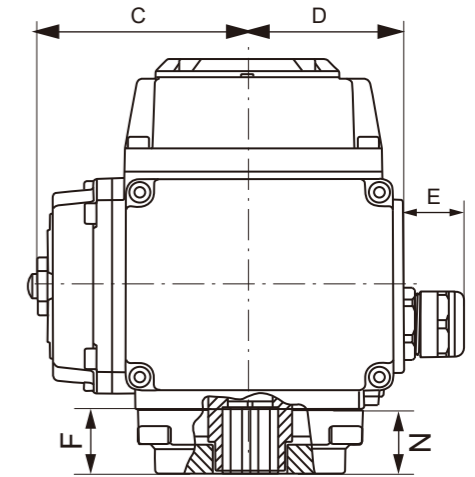
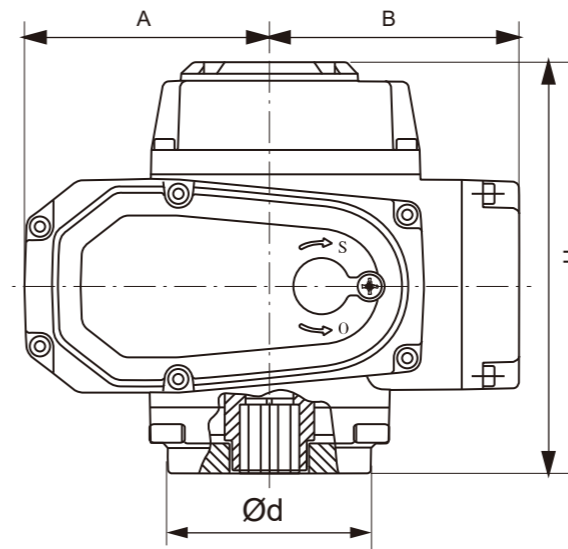


On/Off type
380V AC



Dimension

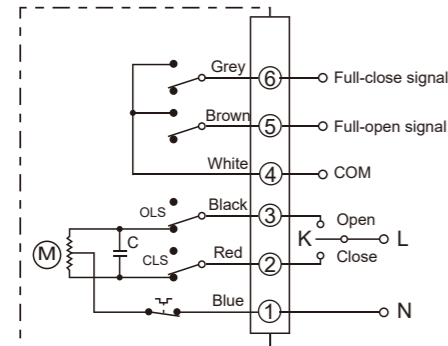
Non explosion proof electric actuator



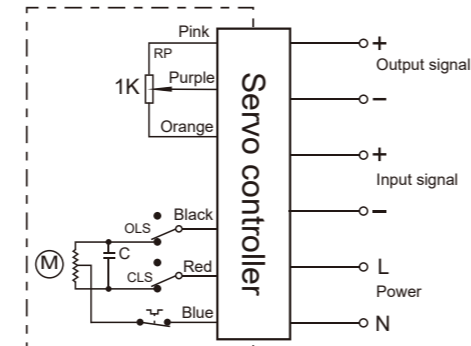
The screw is only to adjust mechanical limit switch, Remove the screw is not allowed (See Operation and Installation Manual)

Wiring diagram for standard actuator (Explosion proof electric actuator)

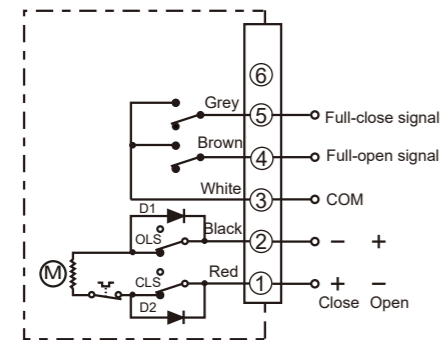
On/Off type
24/110/
220V AC



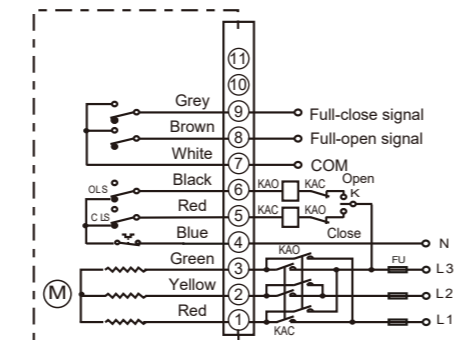
Modulate type
110/220V AC



On/Off type
24V DC



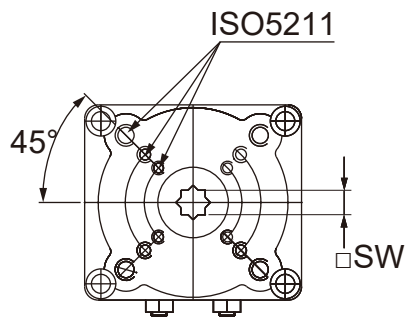
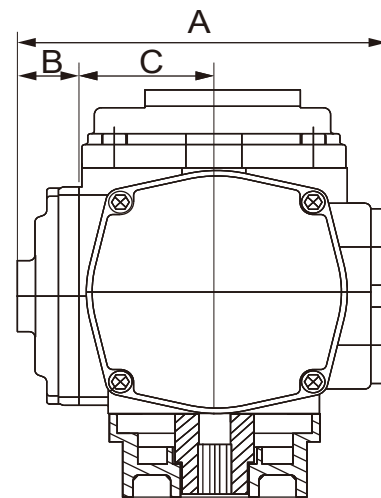
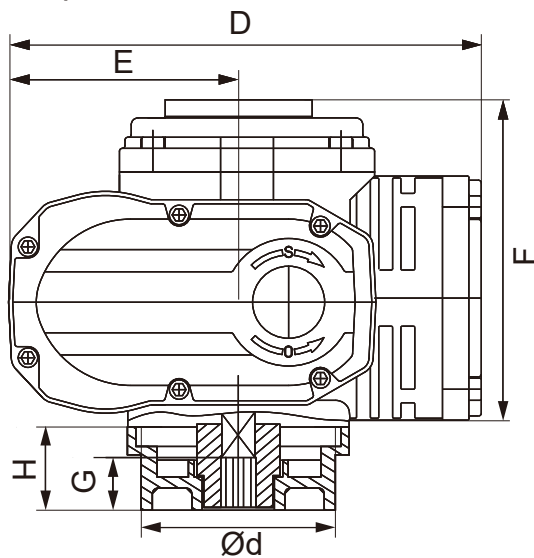
On/Off type
380V AC



Torque(NM)	A	B	C	D	E	H	F	N	Ød	□SW	ISO5211	ISO5211-W	Kg
50(NM)	82	83	70	50.5	20	137.5	23	22	50.5	9-11-14	F03-F05	M5-M6	2.4
100(NM)	97.5	114	77	57	20	168.5	30	32	57	9-11-14-17	F05-F07	M6-M8	4.2
200(NM)	124	135	103	63	20	203	32	48	63	14-17-22-27	F07-F10	M8-M10	7.2
400(NM)	124	135	103	63	20	203	32	48	63	14-17-22-27	F07-F10	M8-M10	7.2
600(NM)	124	135	103	63	20	203	32	48	63	14-17-22-27	F07-F10	M8-M10	8
1000(NM)	129	154	107.5	65.5	20	229.5	42	62	65.5	22-27	F10-F12	M10-M12	11.5
2000(NM)	129	154	107.5	65.5	20	229.5	62	82	65.5	27-36	F14-F16	M16-M20	12.1

Dimension

Explosion proof electric actuator



The screw is only to adjust mechanical limit switch ,Remove the screw is not allowed(See Operation and Installation Manual)

Torque (NM)	A	B	C	D	E	F	G	H	Ød	□SW	ISO5211	ISO5211-W	Kg
50(NM)	120.5	21	46	170.5	83	120	19	30	70	9-11-14	F03-F05-F07	M5-M6-M8	3
100(NM)	139	25	—	217.5	96	150	19	32	90	9-14-17	F05-F07	M6-M8	5
200(NM)	139	25	—	217.5	96	150	19	32	90	9-14-17	F05-F07	M6-M8	5.5
400(NM)	170	32	—	266.5	122.5	165	25	48	125	17-22	F07-F10	M8-M10	9.5
600(NM)	170	32	—	266.5	122.5	165	25	48	125	17-22	F07-F10	M8-M10	10