

## Specification

### DESIGN

2-piece design, full bore

### OPERATION

Handle 90° rotation

### CONNECTION

G/NPT female thread 1/4" - 3"  
 DIN2999/259, ISO228,  
 CLASS A

### PRESSURE RANGE

1000PSI  
 (Please refer to manual pressure-  
 temperature chart)

### NOMINAL PRESSURE

1000PSI

### TEMPERATURE RANGE

PTFE: -30°C - +180°C  
 R-PTFE: -30°C - +200°C

### MATERIALS

Body: WCB  
 CF8  
 CF8M

Ball: 304  
 316

Ball seal: PTFE/R-PTFE

Stem seal: PTFE/R-PTFE

Handle: SUS

The above information is for reference only and  
 Eicmation reserves the right to alter without prior  
 notice



Type:  
 ALA

2-piece handle threaded  
 ball valve

Full bore  
 1000PSI

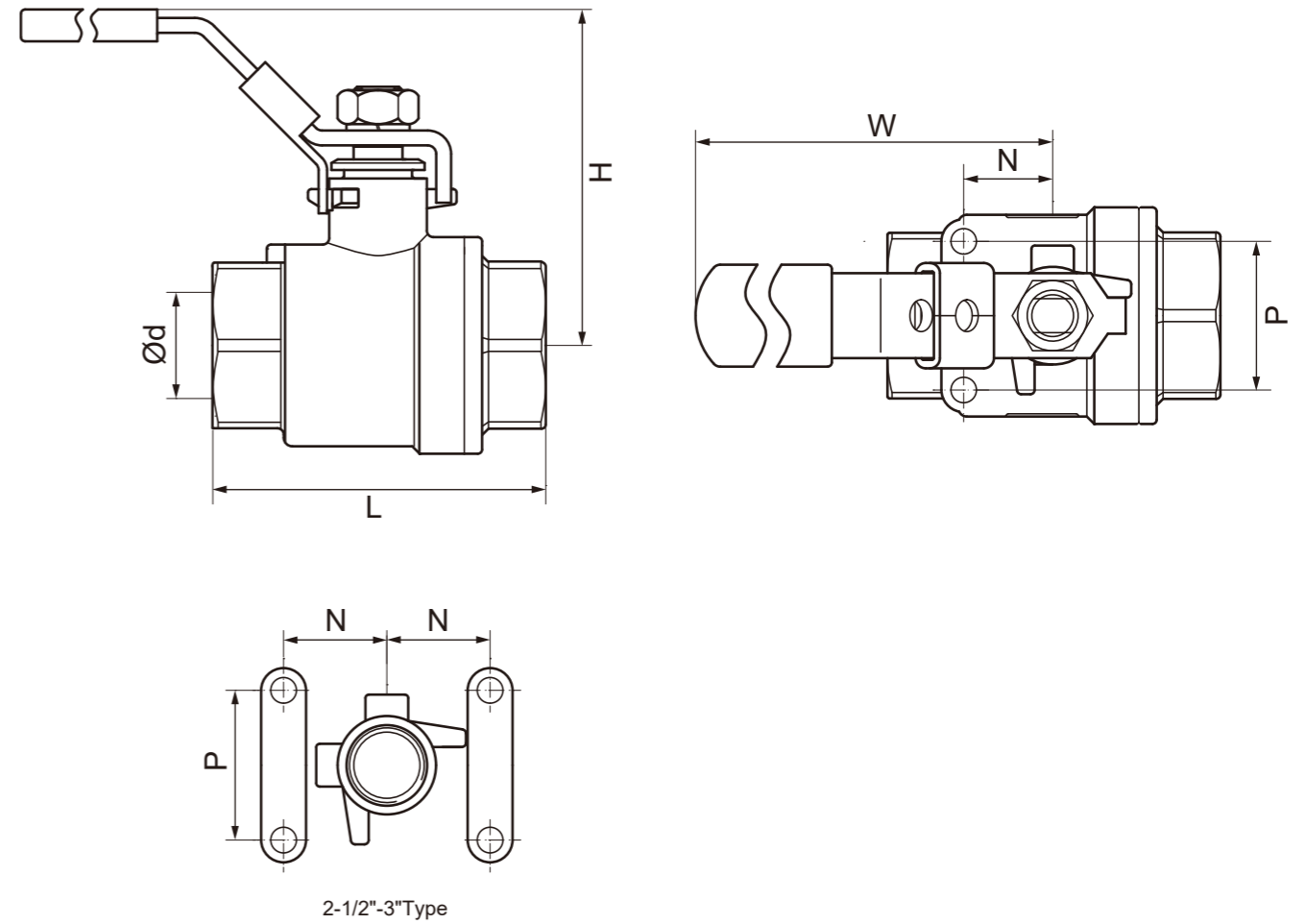
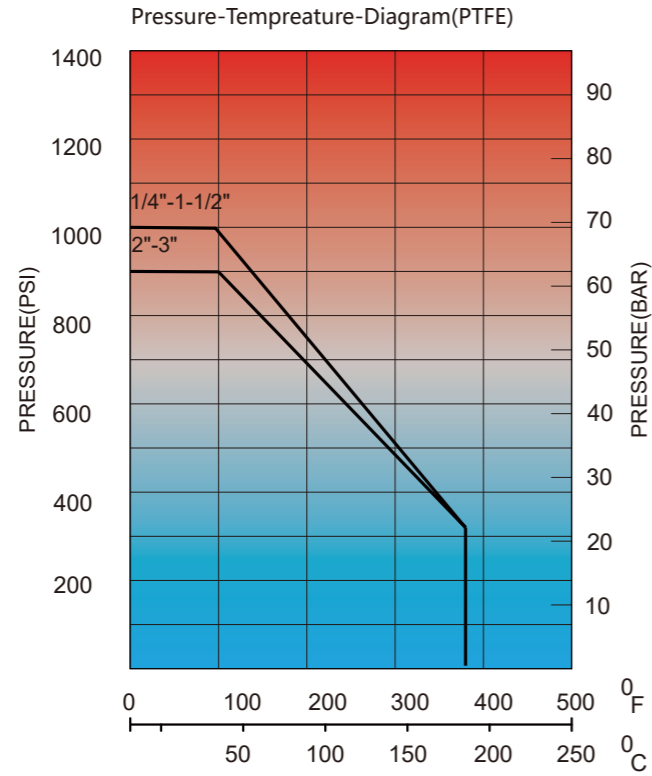
WCB  
 CF8  
 CF8M

## Ordering example: e.g. ALA332E118

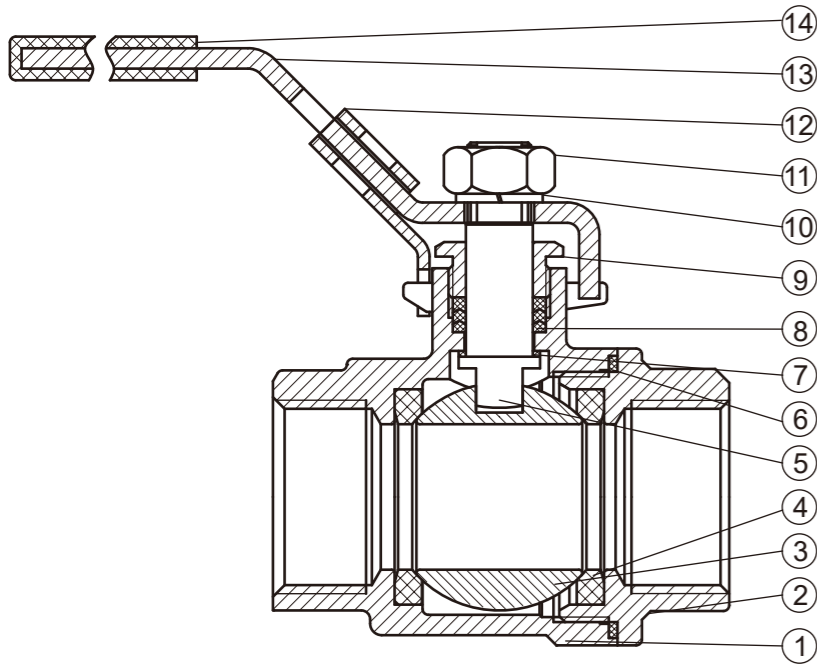
=2-piece ball valve,CF8/CF8,PTFE,1000PSI,Gthread,DN50

Ball valve

A. Type	B+C. Body/Trim	D. Seal	E. Standard pressure	F. Connection	G + H. Size	
ALA=2-piece ball valve Full bore	23=WCB/304 24=WCB/316 33=CF8/304 44=CF8M/316	2=PTFE 3=R-PTFE	E=1000PSI	1=End GThread 8=NPT Thread	11=1/4" 12=3/8" 13=1/2" 14=3/4" 15=1" 16=1-1/4" 17=1-1/2" 18=2"	19=2-1/2" 20=3"



Parts list



NO.	Description	Material
1	Body	WCB CF8 CF8M
2	Cap	WCB CF8 CF8M
3	Ball	304 316
4	Seat	PTFE R-PTFE
5	Stem	304 316
6	Gasket	PTFE S-PTFE PEEK
7	Thrust washer	PEEK PTFE
8	Packing	PTFE R-PTFE
9	Gland	304
10	Spring washer	304
11	Nut	SS
12	Locking device	SS
13	Handle	SS
14	Plastic cover	Plastic

A	DN	Ød	L	H	N	W	P
1/4"	8	11.6	52	56	12.7	102	28.5
3/8"	10	12.7	52	56	12.7	102	28.5
1/2"	15	15	58	65	12.7	123	28.5
3/4"	20	20	67	68	21	123	35
1"	25	25	78	79	21	153	35
1-1/4"	32	32	90	84	23.5	153	38
1-1/2"	40	40	104	93	23.5	183	38
2"	50	50	127	99	23.5	183	38
2-1/2"	65	65	158	136	35	246	54
3"	80	80	187	146	35	246	54



**Specification**

**DESIGN**

2-piece design, full bore, ISO5211

**OPERATION**

Handle 90° rotation

**CONNECTION**

G/NPT female thread 1/4" - 3"  
DIN2999/259, ISO228, CLASS A

**PRESSURE RANGE**

1000PSI  
(Please refer to manual pressure-temperature chart)

**NOMINAL PRESSURE**

1000PSI

**TEMPERATURE RANGE**

PTFE: -30°C - +180°C  
R-PTFE: -30°C - +200°C

**MATERIALS**

Body: WCB  
CF8  
CF8M

Ball: 304  
316

Ball seal: PTFE/R-PTFE

Valve stem seal: PTFE/R-PTFE

Handle: SS

**OPTIONS**

Electrical position indicator  
Lengthened handle  
Handwheel device

The above information is for reference only and Eicmation reserves the right to alter without prior notice

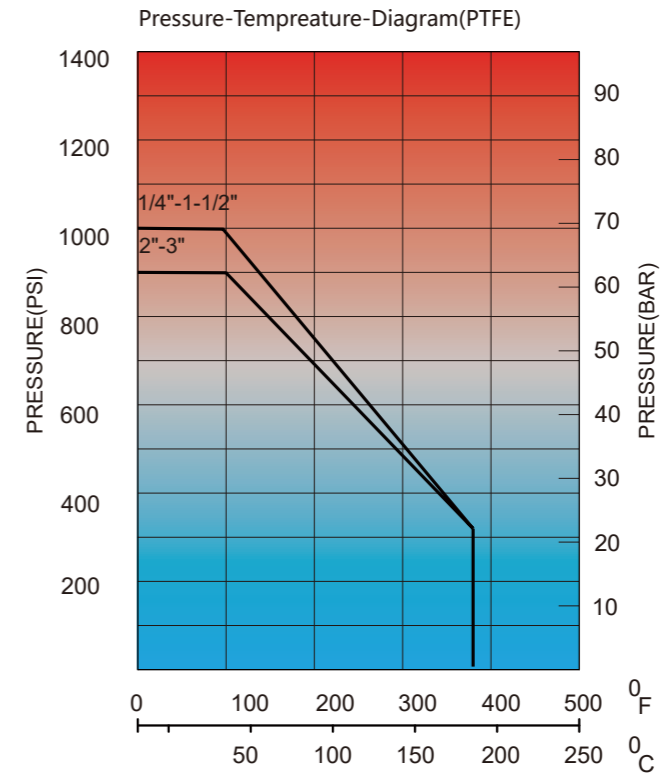


Type:  
AMA

ISO5211 2-piece ball valve  
Full bore  
1000PSI

WCB  
CF8  
CF8M

**Pressure - Temperature-Diagram**



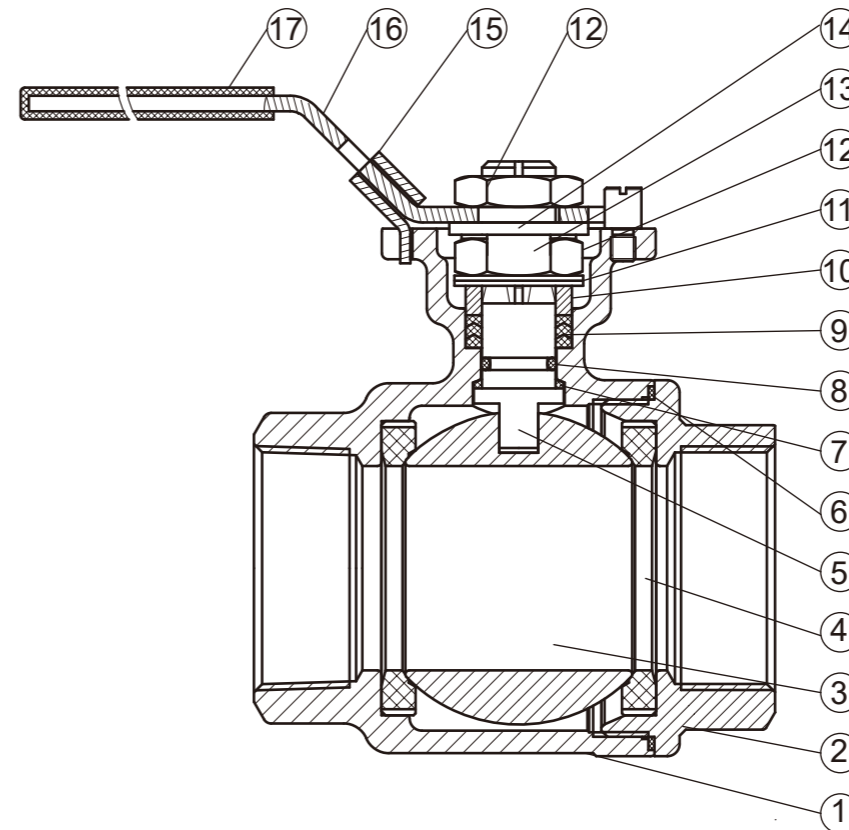
**Ordering example:** e.g. AMA332E118

=2-piece ball valve, CF8/304, PTFE, 1000PSI, GThread, DN50

Ball valve

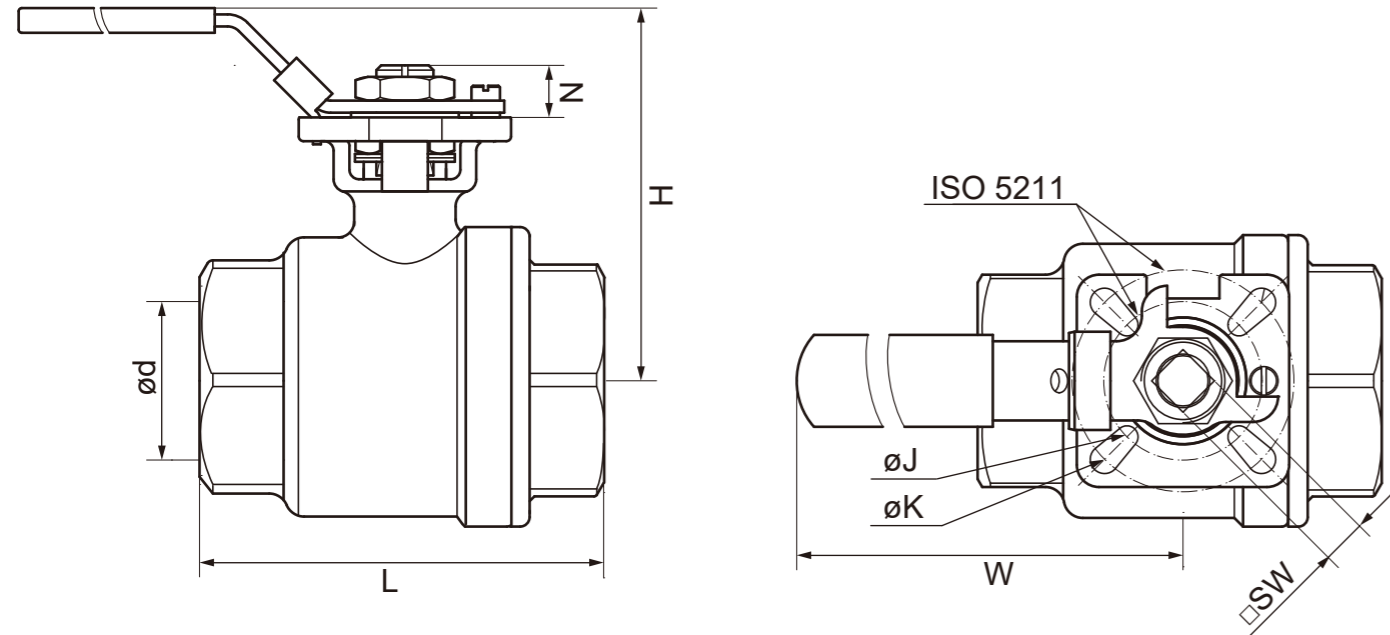
A. Type	B+C. Body/Trim	D. Seal	E. Pressure	F. Connection	G + H. Size	
AMA=ISO5211 2-piece ball valve	33=CF8/304 23=WCB/304 44=CF8M/316 24=WCB/316	2=PTFE 3=R-PTFE	E=1000PSI	1=GThread 8=NPT Thread	11=1/4" 12=3/8" 13=1/2" 14=3/4" 15=1" 16=1-1/4" 17=1-1/2" 18=2"	19=2-1/2" 20=3"

**Parts list**



NO.	Description	Material
1	Body	WCB CF8 CF8M
2	Cap	WCB CF8 CF8M
3	Ball	304 316
4	Seat	PTFE R-PTFE
5	Stem	304 316
6	Gasket	PTFE S-PTFE PEEK
7	Thrust washer	PEEK PTFE
8	O-ring	VITON
9	Packing	PTFE R-PTFE
10	Gland	304
11	Spring washer	304
12	Stem Nut	SS
13	Stop washer	SS
14	Handle washer	SS
15	Locking device	SS
16	Handle	SS
17	Plastic cover	Plastic

## Dimension



A	DN	ød	L	H	W	ISO5211	øJ	øK	N	□SW
1/4"	8	11.6	52	74	123	F03-F04	36	42	9	9
3/8"	10	12.7	52	74	123	F03-F04	36	42	9	9
1/2"	15	15	58	74	123	F03-F04	36	42	9	9
3/4"	20	20	67	78	123	F03-F04	36	42	9	9
1"	25	25	78	89	153	F04-F05	42	50	11	11
1-1/4"	32	32	90	94	153	F04-F05	42	50	11	11
1-1/2"	40	40	104	110	183	F05-F07	50	70	14	14
2"	50	50	127	118	183	F05-F07	50	70	14	14
2-1/2"	65	65	158	161	246	F07-F10	70	102	17	17
3"	80	80	187	170	246	F07-F10	70	102	17	17

## Specification

### DESIGN

2-piece design, full bore, ISO5211

### OPERATION

Pneumatic double-acting or single-acting

### CONNECTION

G/NPT female thread 1/4" - 3"  
DIN2999/259, ISO228, CLASS A

### PRESSURE RANGE

1000PSI  
(Please refer to the manual pressure-temperature chart)

### NOMINAL PRESSURE

1000PSI

### TEMPERATURE RANGE

PTFE: -30°C - +180°C  
R-PTFE: -30°C - +200°C

### MATERIALS

Body: WCB  
CF8  
CF8M

Ball: 304  
316

Ball seal: PTFE/R-PTFE

Valve stem seal: PTFE/R-PTFE

### Actuator

Body: Aluminum alloy, Others on request

Cap: Polyurethane coating

### EXTERNAL TEMPERATURE RANGE

-20°C - +70°C

### PILOT MEDIA

Filtered gases (oil, ash and water removal)

### OPTIONS

3/2-ways 5/2-ways valve, limited switch, positioner, filter reducer, manual, clutch.

For further specifications please refer to the ball valve (MAA) and actuator (KL) data sheet

The above information is for reference only and Eicmation reserves the right to alter without prior notice



Type:  
AMA-PA

2-piece pneumatic ball valve  
Full bore  
1000PSI

WCB  
CF8  
CF8M

### Ordering example: e.g. AMA332E118-PA1116110

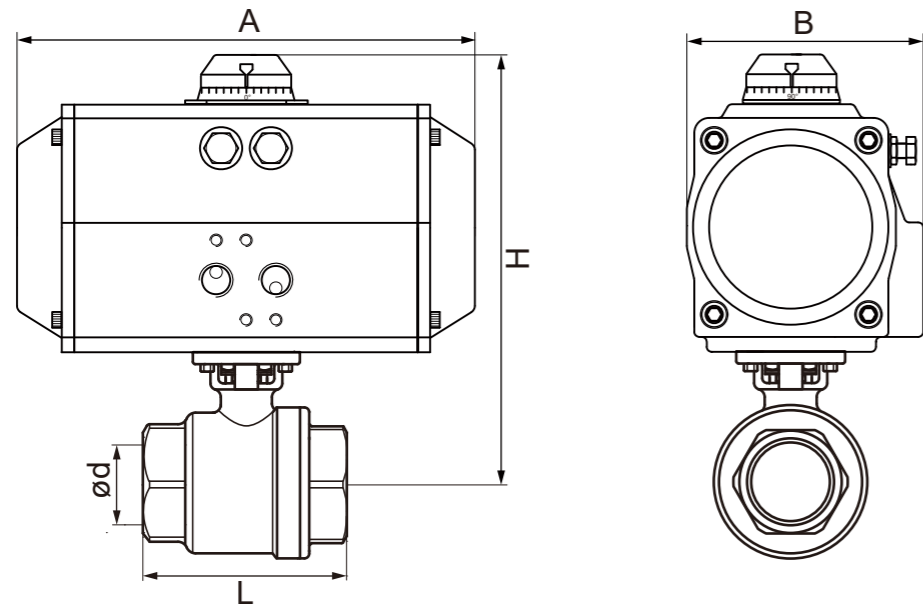
=ISO5211 Two piece thread ball valve, CF8/304, PTFE, GThread, 1000PSI, DN50, Pneumatic actuator PA, Double action, Anodising aluminum, Piston Ø83mm, NBR, Gear0, °-90°

Ball valve

A. Type	B+C. Body/Trim	D. Sealing	E. Standard pressure	F. Connection	G+H. Size
AMA=ISO5211 Two piece ball valve	33=CF8/304 23=WCB/304 44=CF8M/316 24=WCB/316	2=PTFE 3=R-PTFE	E=1000 PSI	1=GThread 8=NPT Thread	11=1/4" 12=3/8" 13=1/2" 14=3/4" 15=1" 16=1-1/4" 17=1-1/2" 18=2" 19=2-1/2" 20=3"

Actuator

I. Type	J. Fail position	K. Material	L + M. Size	N. Seal	O. Structure	P. Trip
PA=Pneumatic actuator	1=Double action 2=Single action-close 3=Single action-open	1=Aluminium alloy 2=Stainless steel	13=Ø52 14=Ø63 15=Ø75 16=Ø83 17=Ø92 18=Ø105 19=Ø125 20=Ø140 21=Ø160	22=Ø190 23=Ø210 24=Ø240 25=Ø270 26=Ø300 27=Ø350 28=Ø400	1=NBR 2=HNBR 3=FKM	1=Gear 0=0-90° 1=0-120° 2=0-135° 3=0-150° 4=0-180° 5=0-270°



SIZE	DN	Ød	Actuator		A	B	H	L
			Model	Specification				
1/4"	8	11.6	PA1113110	Ø52	147	72	167	52
			PA2113110	Ø52	147	72	167	
3/8"	10	12.7	PA1113110	Ø52	147	72	167	52
			PA2113110	Ø52	147	72	167	
1/2"	15	15	PA1113110	Ø52	147	72	167	58
			PA2114110	Ø63	172	83	178	
3/4"	20	20	PA1113110	Ø52	147	72	171	67
			PA2114110	Ø63	172	83	182	
1"	25	25	PA1114110	Ø63	172	83	191	78
			PA2115110	Ø75	184	95	203	
1-1/4"	32	32	PA1115110	Ø75	184	95	213	90
			PA2116110	Ø83	204	103	221	
1-1/2"	40	40	PA1115110	Ø75	184	95	221	104
			PA2117110	Ø92	262	109	235	
2"	50	50	PA1116110	Ø83	204	103	237	127
			PA2117110	Ø92	262	109	243	
2-1/2"	65	65	PA1117110	Ø92	262	109	283	158
			PA2118110	Ø105	268	121	295	
3"	80	80	PA1118110	Ø105	268	121	304	187
			PA2119110	Ø125	301	143	326	

Note: Details please refer to AMA ISO5211 2-piece ball valve;  
 Above information is under normal working condition, Please consult the technical department in case of special working conditions

Specification

**DESIGN**  
 2-piece design, full bore, ISO5211

**OPERATION**  
 Electric and Handle operation

**CONNECTION**  
 G/NPT female thread 1/4" - 3"  
 DIN2999/259, ISO228, CLASS A

**PRESSURE RANGE**  
 1000PSI  
 (Please refer to the manual pressure-temperature chart)

**NOMINAL PRESSURE**  
 1000PSI

**TEMPERATURE RANGE**  
 PTFE: -30°C - +180°C  
 R-PTFE: -30°C - +200°C

**MATERIALS**

Body: WCB  
 CF8  
 CF8M

Ball: 304  
 316

Ball seal: PTFE/R-PTFE

Valve stem seal: PTFE/R-PTFE

**Actuator**

Body: Aluminum alloy, others on request  
 Cap: Polyurethane coating

**EXTERNAL TEMPERATURE RANGE**  
 -20°C - +60°C

**VOLTAGE OPTIONAL**  
 24V DC, 24V AC, 110V AC  
 220V AC, 380V AC

**PROTECTIVE**  
 IP 67

**STANDARD EQUIPMENT**  
 2 additional limit switches, optical position indicator, manual override,

**OPTIONS**

Dehumidification heater  
 Overtorque protection  
 Modulate type 4-20mA  
 Exd IIB T4  
 For more requests please contact us

For further specifications please refer to the ball valve (MAA) and actuator '(KL) data sheet.

The above information is for reference only and Eicmation reserves the right to alter without prior notice.



Type:  
 AMA-KL  
 2-Piece electric ball valve  
 Full bore  
 1000PSI  
 WCB  
 CF8  
 CF8M

Ordering example: e.g. AMA332E118-KL411111

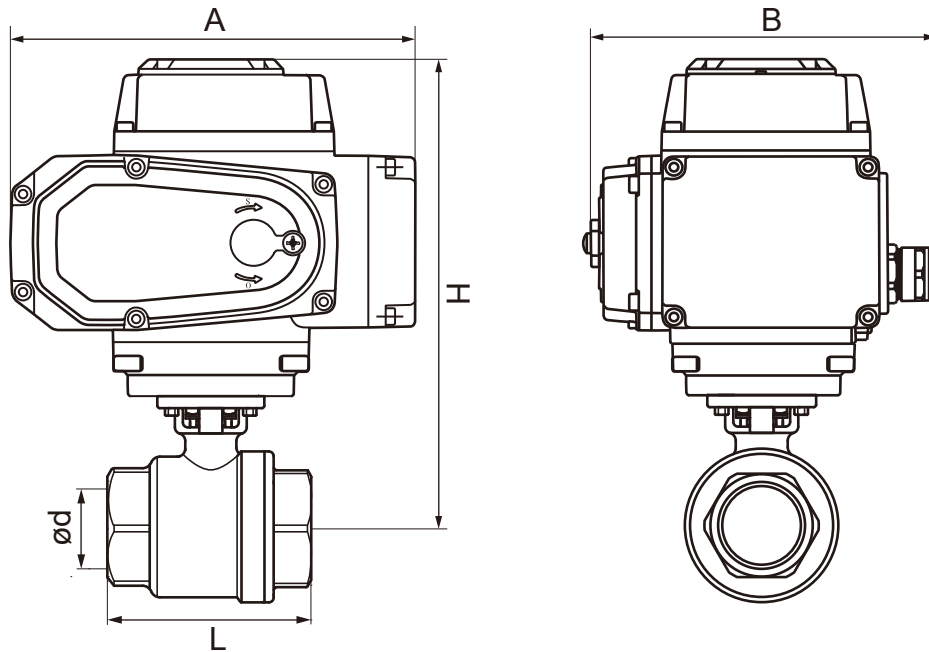
=2-piece ball valve, CF8/304, PTFE, 1000 PSI, GThread, DN50, Electric actuator, 220V AC, 50Nm, On/off type+dry contact

Ball valve

A. Type	B+C. Body/Trim	D. Sealing	E. Standard pressure	F. Connection	G + H. Size
AMA=2-piece ball valve Full bore	33=CF8/304 23=WCB/304 44=CF8M/316 24=WCB/316	2=PTFE 3=R-PTFE	E=1000 PSI	1=G Thread 8=NPT Thread	11=1/4" 12=3/8" 13=1/2" 14=3/4" 15=1" 16=1-1/4" 17=1-1/2" 18=2"

Actuator

I. Product	J. Voltage	K. Explosion proof grade	L+M. Torque(NM)	N. Attachment	O. Spare
KL=Basic angle stroke Electric actuator	1=24V DC 2=24V AC 3=110V AC 4=220V AC 5=380V AC	1=None 2=Exd II BT4 (50-600NM)	11=50 13=100 15=200 17=400 19=600 21=1000 23=2000	1=On/Off type +Limit switch 2=Modulante type 4~20mA	1=No 2=1K~10K potentiometer 3=Current position sensor 4~20mA 4=Overload protection (200-2000NM) 8=Arefaction protect



SIZE	DN	Ød	Actuator		A	B	H	L
			Model	Torque(NM)				
1/4"	8	11.6	KL111111	50	165.0	140.5	203	52
			KL121111	50	170.5	121	215	
3/8"	10	12.7	KL111111	50	165.0	140.5	203	52
			KL121111	50	170.5	121	215	
1/2"	15	15	KL111111	50	165.0	140.5	203	58
			KL121111	50	170.5	121	215	
3/4"	20	20	KL111111	50	165.0	140.5	207	67
			KL121111	50	170.5	121	219	
1"	25	25	KL111111	50	165.0	140.5	216	78
			KL121111	50	170.5	121	228	
1-1/4"	32	32	KL111111	50	165.0	140.5	226	90
			KL121111	50	170.5	121	238	
1-1/2"	40	40	KL111111	50	165.0	140.5	234	104
			KL121111	50	170.5	121	246	
2"	50	50	KL111311	100	211.5	154	273	127
			KL121311	100	217.5	139	286	
2-1/2"	65	65	KL111311	100	211.5	154	313	158
			KL121311	100	217.5	139	326	
3"	80	80	KL111511	200	259.0	186	356	187
			KL121511	200	217.5	139	335	

Note:Details please refer to AMA ISO5211 2-piece ball valve;  
Above information is under normal working conditon, Please consult the technical department in case of special working conditions